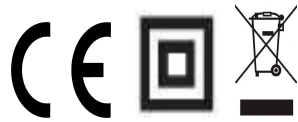


# X9 Disinfectant Sprayer



## **INSTRUCTIONS FOR THE X9 DISINFECTANT SPRAYER**

Before using the Disinfectant Sprayer, read this manual thoroughly.

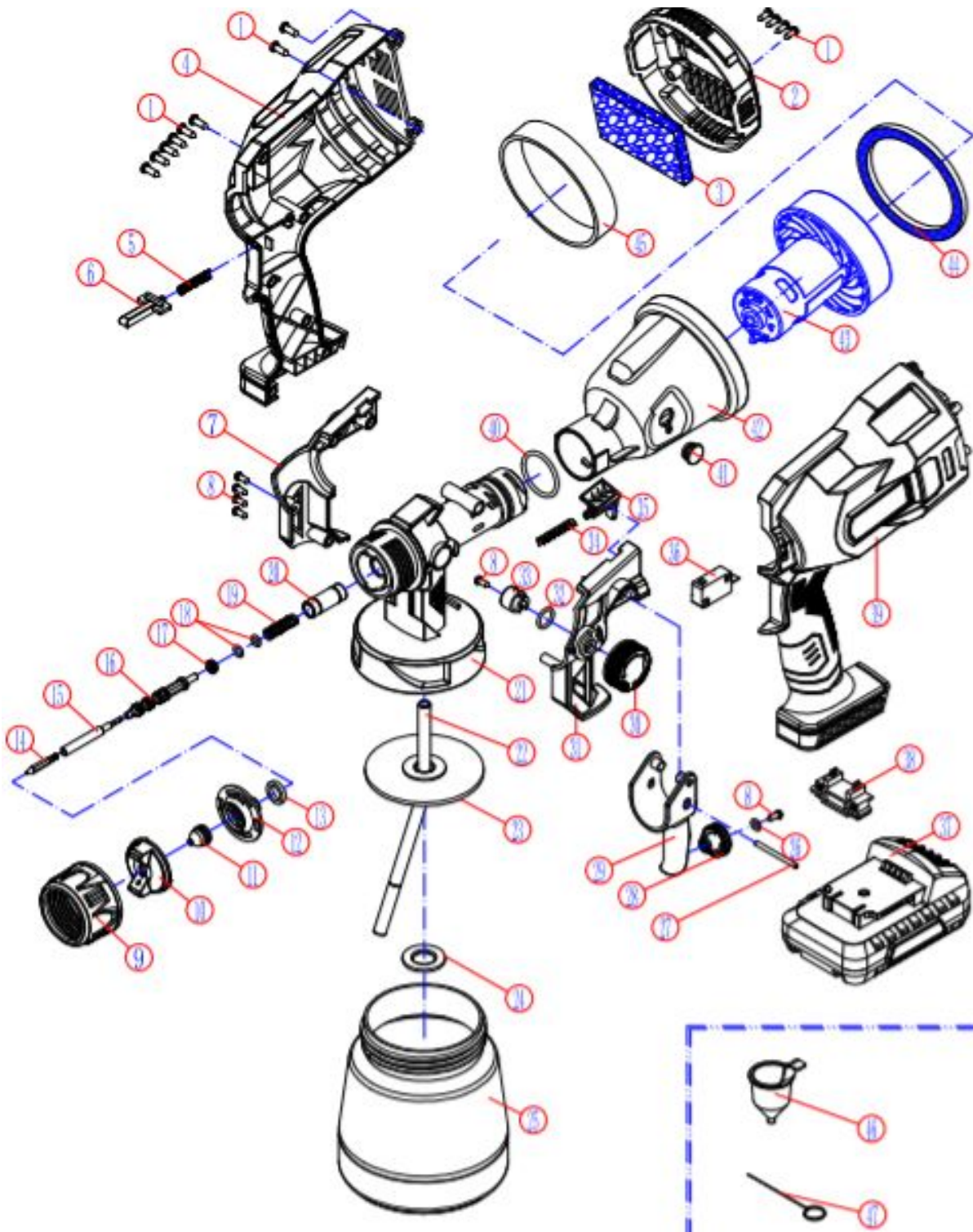
Any improper use can cause damage or lead to serious injury.

••

**THE DISINFECTION SUPPLY COMPANY**

**[disinfectionsupply.com](http://disinfectionsupply.com) / +1760-600-8456 / [info@disinfectionsupply.com](mailto:info@disinfectionsupply.com)**





• THE •  
DISINFECTION  
SUPPLY  
• COMPANY •

## I. Explosive view:

1	ST2.9*10SCRE	17	bowl seals	33	Atomization circle
2	Rear cover	18	O-ring	34	Vent spring
3	Cotton filter	19	22 Needle spring	35	Lock catch
4	Right cover	20	Needle set	36	microswitch
5	Switch plunger spring	21	GUN	37	Battery pack
6	Switch plunger	22	Pipette	38	Battery pack pin
7	Right side cover	23	Cup-ring	39	Left cover
8	ST3.5*10SCRE	24	Suction pipe splint	40	Gun-ring
9	Big nut	25	Cup	41	Stopper
10	Spray ball	26	Φ3 flat gasket	42	Motor cover
11	Spray nozzle	27	Short pin	43	550 motor
12	Barge board	28	Adjusting knob	44	Damping pad
13	Nozzle seal	29	trigger	45	Damping ring
14	Needle	30	Spray a knob	46	funnel
15	Needle insert	31	Left side cover	47	Pin
16	Needle seat	32	O-ring		

## II. Technical Parameters:

Model: Q0P-CX33-380	
Rated power:120W	Atomization output: 30-60
Rated voltage:18-20V	Battery capacity: 2000mAh
Frequency:50/60HZ	Spraying distance: 200-250mm
Rated speed:30000RPM	Width: 200-300mm
Air flow:160L/MIN	Viscosity: 8-12s
Liquid Flow:100-200ml/min	Material pot capacity: 800ml



### **III. Function:**

Suitable for disinfection and spraying of chemicals as a fine mist.

### **IV. General Use:**

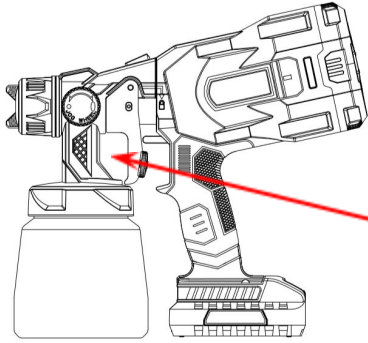
- A. Unscrew the liquid container from the spray gun.
- B. Adjust the suction tube.
- C. If spraying in an upward direction, the angled end of the suction tube should be pointing toward the rear of the gun.
- D. If spraying in a downward direction, the angled end of the suction tube should be pointing towards the front of the gun.
- E. Pour material into the container, make sure not to not overfill.
- F. Spray evenly over the surfaces you wish to disinfect by pulling on the trigger.
- G. Never point the X9 at a person or animal!

### **V. Spray length adjustment and Pattern adjustment:**

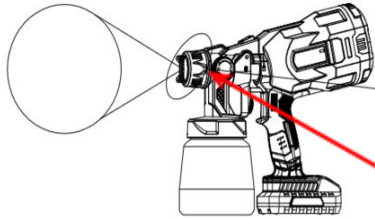
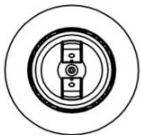
- A. Turn knob to adjust the round shape from vertical to horizontal.
- B. Adjust the required length according to the objects you are spraying.
- C. The counterclockwise rotation shortens the length, and when it rotates to the stop position, it is sprayed with the largest circle.
- D. Adjust the screw to the right to increase volume.

(SEE DIAGRAMS)

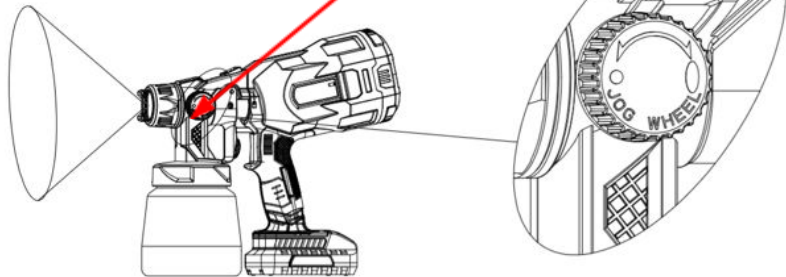




**KNOB A:**  
Distance Knob



**KNOB B:**  
Pattern Knob



## Troubleshooting:

### Problem / Cause / Possible Solution

Problem	Cause	Solution
A. little or no liquid flow	1.nozzle clogged 2.suction tube clogged 3.material volume setting turn too far to the right 4.suction tube loose 5.liquid is too thick 6.container is loose	1.clean 2.clean 3.turn to the left  4.insert 5.check viscosity 6.tighten the container
B. material leaking	1.nozzle loose 2.nozzle worn 3.nozzle seal worn 4 build-up on spray pattern dial and nozzle	1.tighten 2.replace 3.replace 4.clean
C. atomization is too coarse	1.material volume too large 2.nozzle clogged 3.too little pressure build-up in container	1 turn to the right 2.clean 3.tighten container
D. spray jet pulsates	1.material in container running out.	1.refill

## Warnings!

1. Keep your workplace clean and tidy, never use the tool in hazardous areas that contain flammable liquids, gasses or dusts.
2. Only liquids or other materials with a flash point of 73 °F(22C) or higher.
3. Never point the spray gun at other people or animals. In the event of an injury, seek immediate medical attention.
4. You must clean the spray gun thoroughly after each use.

